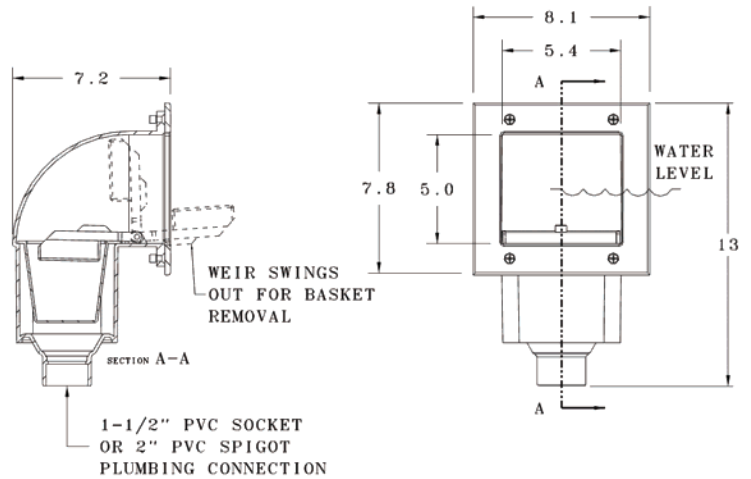




Fountain Supply Company

SK-304B

*Skimmer with
Bronze Face Plate*



Description

The **SK-304BZ** skimmer removes floating debris from pool surface and traps it in a removable plastic basket which is accessible from the front of the skimmer. No cutting or finishing of the decking is required for installation.

Part Number

- **SK-304B** 1-1/2" PVC Socket or 2" PVC Spigot

Specification

- **Skimmer:** Shall have a PVC body, weir, and basket.
- **Face Plate:** Shall be bronze with brass mounting knurls and brass screws.
- **Drain:** Shall be 1-1/2" PVC socket style plumbing connection or 2" spigot plumbing connection.
- **Fasteners:** May be stainless steel upon request.